



Mounting set tiled roof for gevoSol / sunnySol

Mounting set tiled roof for gevoSol / sunnySol

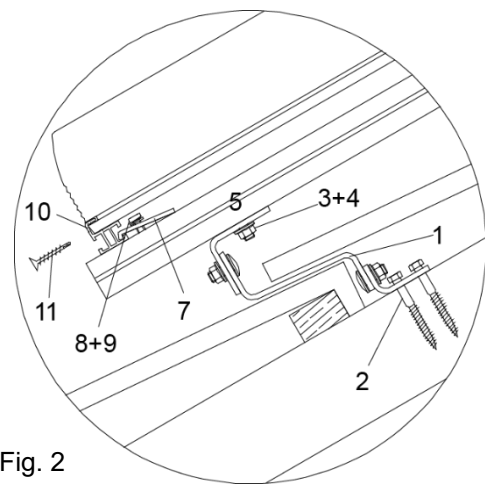
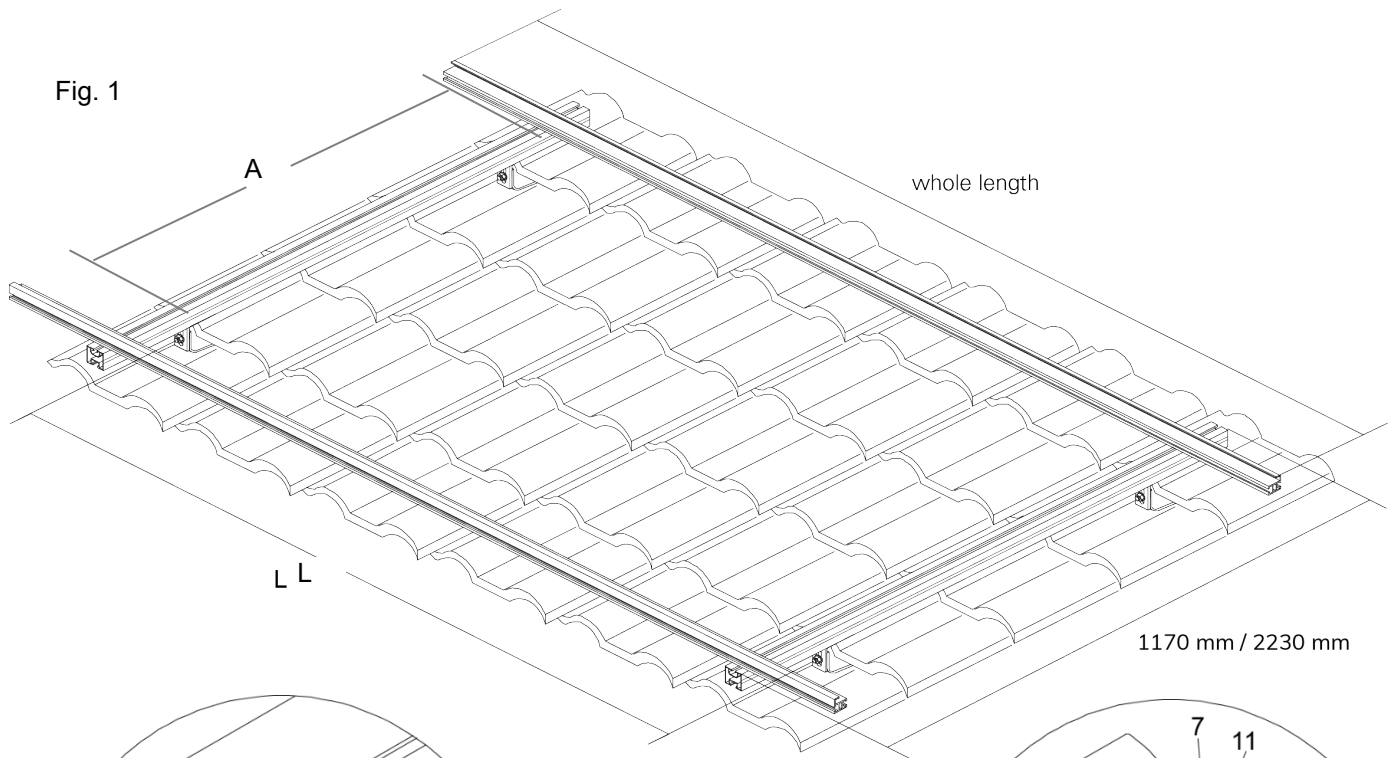


Fig. 2

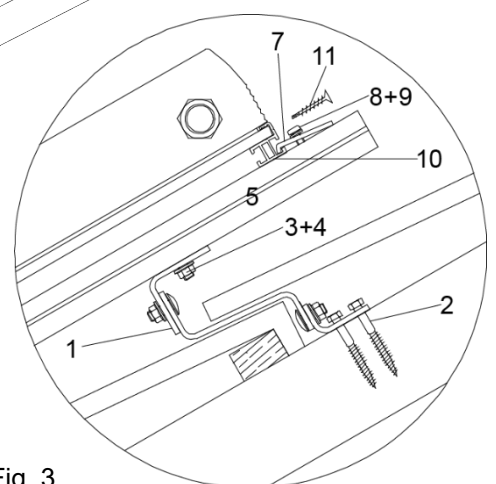


Fig. 3

Pos.	Designation	Fixing rows		
		2	3	
1	Adjustable roof hook (incl. carriage-bolts and nuts)	4	6	
2	Frame screw TG 8,0 x 100 mm	12	18	
3	Carriage-bolt M8 x 25 mm_V2A	4	6	
4	Nut with flange M8_V2A	4	6	
5	Mounting rail (Alu) 35 x 35 mm	2	3	
7	Clamp	4	6	
8	Nut with flange M8_V2A	4	6	
9	Carriage-bolt M8 x 20 mm_V2A	4	6	
		Number of collectors		
Required accessories		1	2	3
10	Mounting profile	2	2	2
11	Self-drilling screw 4,8 x 16 mm	2	4	6
12	Connection piece	2	2	2

Mounting set tiled roof for gevoSol / sunnySol

- Determine the position of the panels on the roof. For each roof hook (1) one tile, which is located exactly on a rafter, has to be removed. Consider that the upper roof hooks (1) have to be mounted two tile rows below the roof ridge!

Number of fixing points and distances										
Number of collectors vertical, Type 23	1	2	3	4	5	6	7	8	9	10
Fixing rows	2	3	4	5	7	8	9	11	12	14
L (mm) → see Fig. 1	750	750	877	940	815	860	894	828	855	811
A (mm) → see Fig. 1	min. 1600 mm / max. 1850 mm									
Number of collectors horizontal, Type 23 / 26	1	2	3	4	5	6	7	8	9	10
Fixing rows	2	5	8	10	13	16	18	21	24	26
L (mm) → see Fig. 1	1400	890	817	876	837	813	845	826	812	834
A (mm) → see Fig. 1	min. 815 mm / max. 930 mm									
Number of collectors vertical, Type 26	1	2	3	4	5	6	7	8	9	10
Fixing rows	2	3	5	6	8	10	11	13	14	16
L (mm) → see Fig. 1	900	910	778	880	813	776	827	797	835	809
A (mm) → see Fig. 1	min. 1600 mm / max. 1850 mm									
ATTENTION!										
The above mentioned tables serve as guidelines. The actual required item number of rows depends on fixing the structural requirements on site, as well as depending on the application with the applicable standards and regulatory documents, in particular, the standards EN1991-1 and DIN1055 respectively the standard ÖNORM M7778.										

- With the three press cuts on the base line of the hook (1) the lateral displacements can be compensated (Fig.4).
- The brackets of the hook (1) can be adjusted to the height of the roof battens and/or tiles using the two square neck carriage bolts. The distance between the panels and the roof should be kept as small as possible. The hooks are fixed to the rafters using the frame screws (2), (Fig. 4 and 5).
- The mounting rail (5) is fixed at the roof hook (1) with carriage-bolts M8 (3) and nuts M8 (4) by inserting the carriage-bolt into the slot of the rail (Fig. 7).
- Fix the lower mounting profile (10, has to be ordered separately) with clamps (7), carriage-bolts M8 (9) and nuts (8) in the slot of the mounting rail. Ensure that the rail is as straight as possible, and the lower distance to the edge of the rail is about 15 mm (Fig. 7).

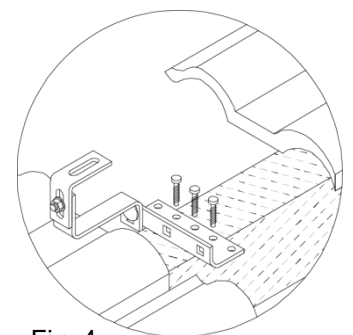


Fig. 4

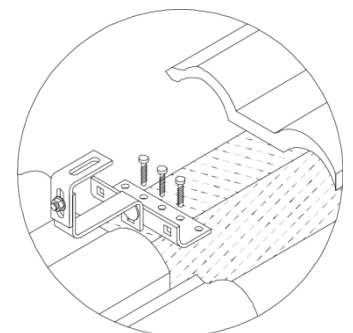


Fig. 5

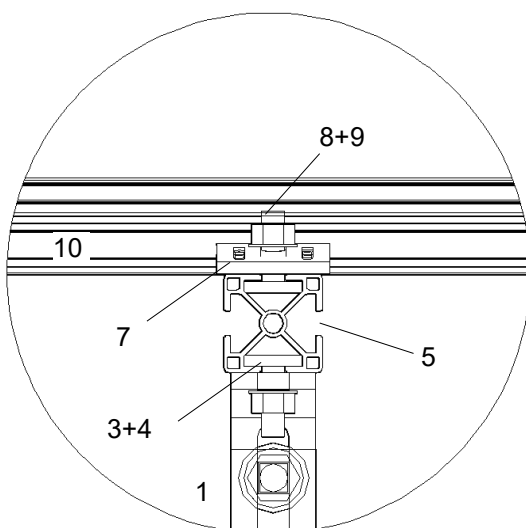


Fig. 7

Mounting set tiled roof for gevoSol / sunnySol

6. Place the panels on the lower mounting profile (10). Slide the mounting profile on top of the rack into the slot provided by the collector.

The hydraulic connection between the collectors occurs via the connection screw. Firstly, fix the connection screw by using 2 wrenches to obtain the correct distance between each collector.

NOTE! Before screwing of the compounds have the treads and the sealing surface greased (e.g. silicone milk). It's necessary to pull against while screwing otherwise the collecting pipe could rotate !!!

7. Now fix the upper mounting profile (10) with the clamps (7), carriage-bolts M8 (9) and nuts (8) into the slot of the mounting rail (5).
8. Check the tightness of all clamps (7) and screws (3, 9).
9. In the case of several mounting profiles (10) have to be connected together, the connecting piece (12) has to be inserted into the corresponding guiding of the profile (see Fig. 8).
10. Fix each collector with self-drilling screws (11) on top and bottom of the scheduled holes of the mounting profile (10) as in Fig. 9 below illustrated.

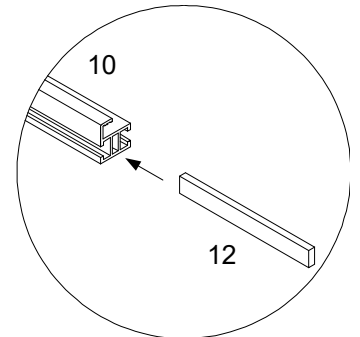


Fig. 8

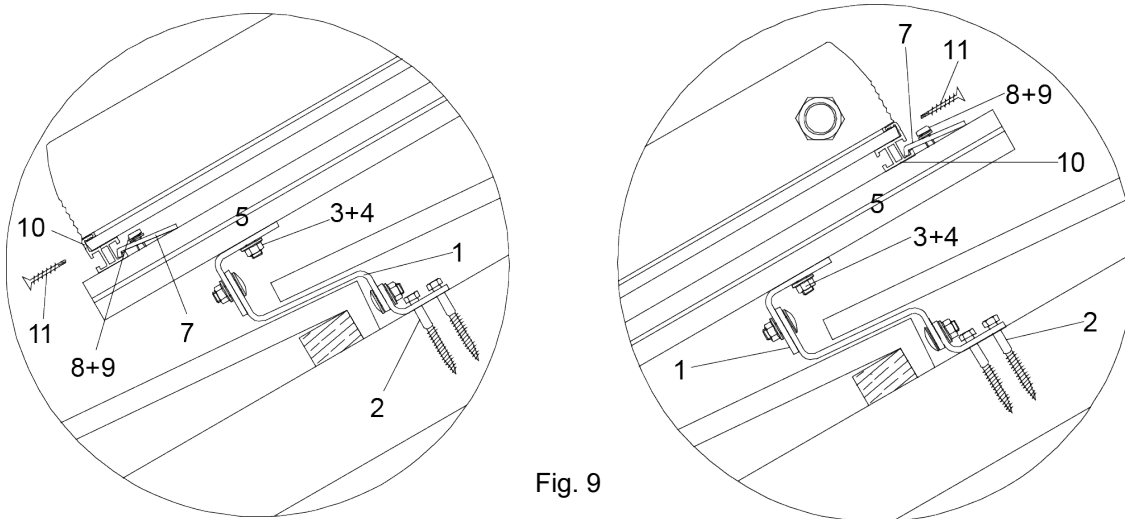


Fig. 9

ATTENTION!

All bolts and nuts for weight-bearing connections have to be tightened with a calibrated torque handle. The torque table can be found in the „Safety and installation manual for flat plate collectors“.