



***Assembling – on-roof collectors
for slope fixation – inclination 45°
gevoSol / sunnySol***



Assembling – on-roof collectors for slope fixation – inclination 45° gevoSol / sunnySol

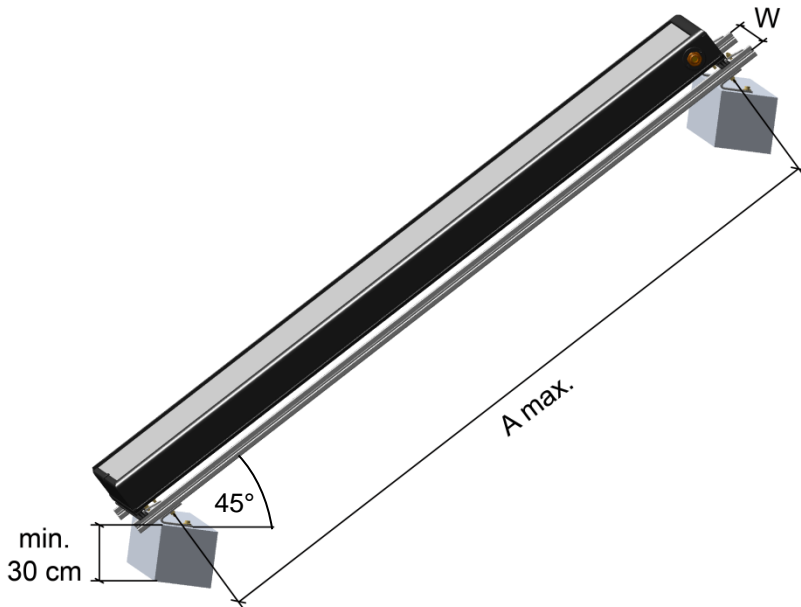
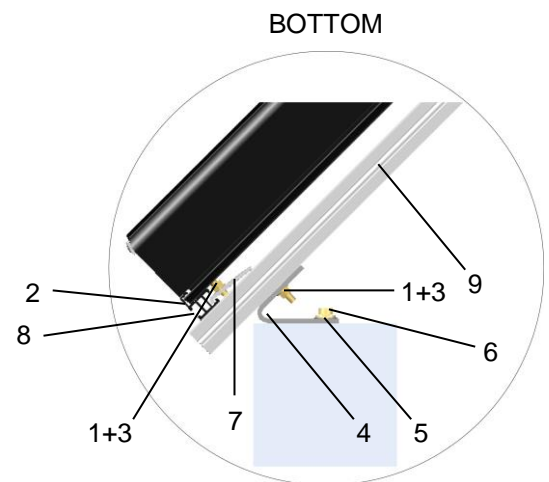
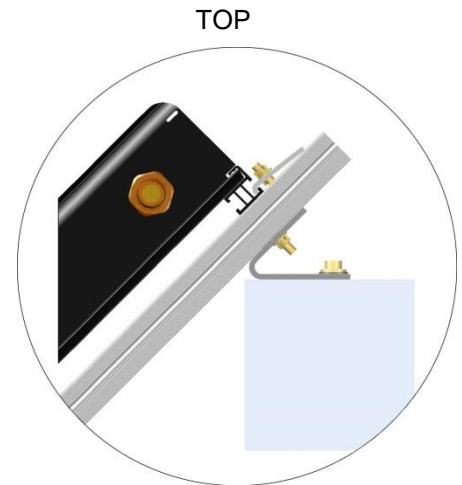


Fig. 1



ATTENTION!!!

A suitable substructure to fix the collectors has to be provided by the customer - e.g. Concrete-strip foundation with a thickness of 25 cm. NO liability for the execution of the substructure!

Please ensure that each collector has a minimum distance of 30 cm to the ground - measured from the lower edge of the frame profile to the ground (see Fig. 1).

Assembling-Set for slope fixation – Item Code 03943

Pos.	Item Code	Designation	per Set
4	40019	Angle bracket	2 pcs.
5	29208	Washer M10 DIN 125 – A2	2 pcs.
6	29037	Screw 10x80 mm DIN 571 vz	2 pcs.

Assembling bar incl. screw-set – Item Code 03050

Pos.	Item Code	Designation	per Set
1	29111	Carriage-bolt M8 x 25 mm_V2A	4 pcs.
2	29528	Drilling-screw 4,8x16 mm – A2	
3	1000192047	Nut with flange M8_V2A	4 pcs.
7	03948	Mounting clamp 1.4301	2 pcs.
8	091...	Mounting profile	
9	1000280004	Assembling bar 35x35 mm	1 pc.

ATTENTION!!!

In addition - depending on the number of collectors - the support profile (8) must be ordered separately.



Assembling – on-roof collectors for slope fixation – inclination 45° gevoSol / sunnySol

HINT for ORDER

The number of the required fixing points for on-roof collectors (**vertical, Type 23**) is identical with the installed collectors. For example 5 collectors require 5 pcs. of fixing points (= 5 Fixation-sets).

The number of the required fixing points for on-roof collectors (**horizontal, Type 23 and 26 and vertical, Type 26**) is 1 Set higher than the number of installed collectors. For example 4 collectors require 5 pcs. of fixing points. (see table below).

Measurements for assembling and fixation										
Number of collectors vertical, Type 23	1	2	3	4	5	6	7	8	9	10
Fixation-sets	2	2	3	4	5	6	7	8	9	10
Collector height (mm)	2100									
GL (mm)	1070	2200	3330	4460	5590	6720	7850	8980	10110	11240
W (mm)	750	1500	1315	1253	1222	1204	1192	1183	1176	1171
A max. (mm) siehe Fig. 1 →	distance max. 2081 mm									
GL ... overall measurement of collectors in a row										
Number of collectors vertical, Type 26	1	2	3	4	5	6	7	8	9	10
Fixation-sets	2	3	4	5	6	7	8	9	10	11
Collector height (mm)	2100									
GL (mm)	1230	2520	3810	5100	6390	7680	8970	10260	11550	12840
W (mm)	910	910	1037	1100	1138	1163	1181	1195	1206	1214
A max. (mm) siehe Fig. 1 →	distance max. 2081 mm									
GL ... overall measurement of collectors in a row										
Number of collectors horizontal, Type 23	1	2	3	4	5	6	7	8	9	10
Fixation-sets	2	3	4	5	6	7	8	9	10	11
Collector height (mm)	1070									
GL (mm)	2100	4260	6420	8580	10740	12900	15060	17220	19380	21540
W (mm)	1400	1780	1907	1970	2008	2033	2051	2065	2076	2084
A max. (mm) siehe Fig. 1 →	distance max. 1054 mm									
GL ... overall measurement of collectors in a row										
Number of collectors horizontal, Type 26	1	2	3	4	5	6	7	8	9	10
Fixation-sets	2	3	4	5	6	7	8	9	10	11
Collector height (mm)	1230									
GL (mm)	2100	4260	6420	8580	10740	12900	15060	17220	19380	21540
W (mm)	1400	1780	1907	1970	2008	2033	2051	2065	2076	2084
A max. (mm) siehe Fig. 1 →	distance max. 1214 mm									
GL ... overall measurement of collectors in a row										

ATTENTION!

The above mentioned tables serve as guidelines. The actual required item number of fixation-Sets depends on fixing the structural requirements on site, and must be adapted to local conditions if necessary.