



**Mounting set for installation rack  
with base-plate**



## Mounting set for installation rack with base-plate

The illustrations below show the step-by-step assembling for the attachment of Gasokol solar collectors with gravel support-plates. The design of the installation racks can differ slightly from collector type to collector type.

- 1.) Set up, measure, according to the assignment plan - note field positioning and row spacing
- 2.) Put on protective film (if necessary on-site) and then protective fleece
- 3.) Mount the installation rack (frame) on each support-plate
- 4.) Situate all support-plates including the installation racks – keep the total dimensions of the collector field in mind
- 5.) Align the individual racks by using the cross rails and fix the cross rails afterwards
- 6.) Attach struts (reinforcement) to the back of the installation racks
- 7.) Put the fillings (e.g. gravel, granules, ...) in the support-plate (take into account the filling height according to the standard or static calculation), please note that at the beginning carefully fix the support-plate with a small amount of gravel !
- 8.) Finally, all collectors are installed including the connectors







# Mounting set for installation rack with base-plate

Step 5



Step 6



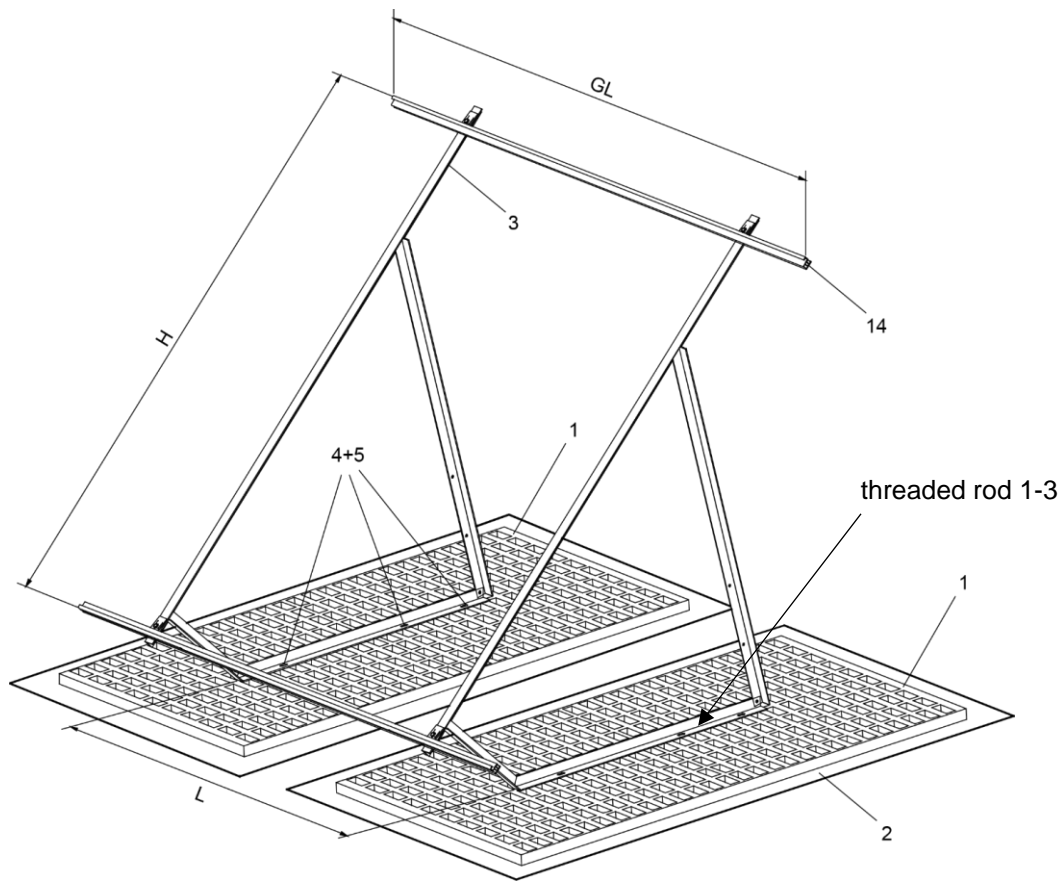
Step 7



Step 8



## Mounting set for installation rack with base-plate



The mounting frames (installation racks) are connected to the support plate (1) in the holes provided on the base part using 3 threaded rods M10 and accessories (4 and 5). The standard distance (L) between the racks can be found in the following tables from the „Flachdachmontage KIES“ installation instructions.

### **INSTALLATION NOTES:**

- ✓ **The black support-plate must be placed on a solid surface and the load must be statically tested!**
- ✓ **Minimum filling height = 5cm (support-plate must be completely covered)**
- ✓ **The distance between the Alu-frames (racks) and the support-plate cannot be adjusted - i.e. no level adjustment possible!**
- ✓ **Note the distances to roof structures (e.g. roof vents) - keep a distance of at least 20 cm!**

### **ATTENTION!**

**All bolts and nuts for weight-bearing connections have to be tightened with a calibrated torque handle. The torque table can be found in the „Safety and installation manual for flat plate collectors“.**