



***Mounting set for installation rack  
with clamp for sheet fold roof***



# Mounting set for installation rack for sheet fold roofs

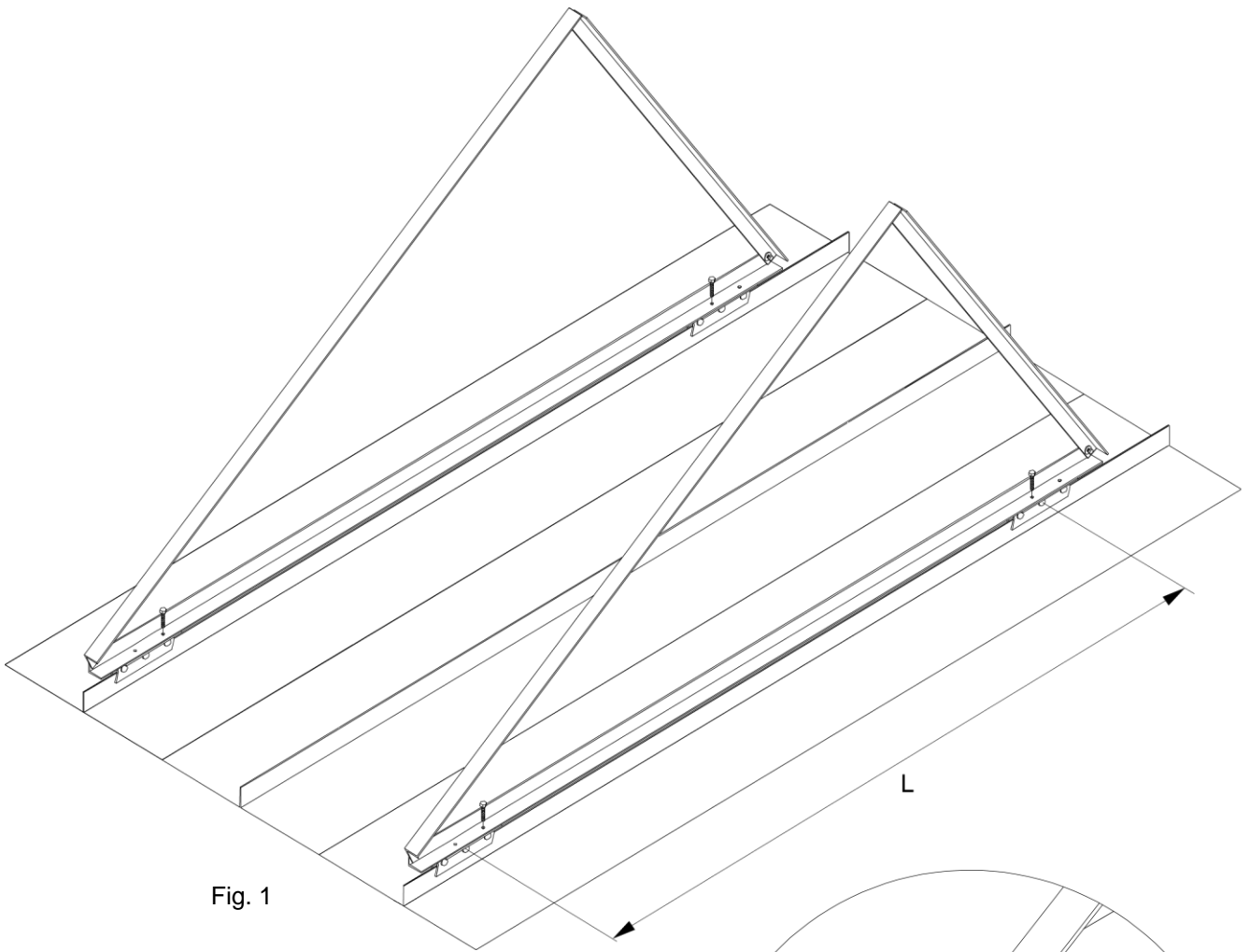


Fig. 1

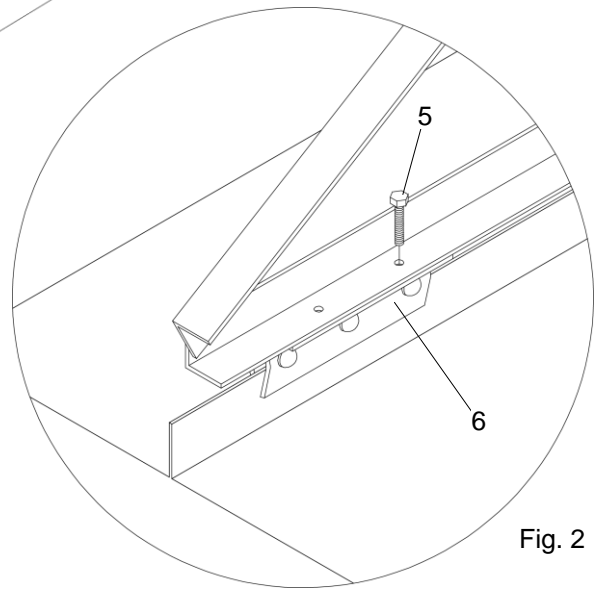


Fig. 2

Pos.	Code	Designation	Items per set
1	40022	Sheet fold clamp left	2
2	40037	Sheet fold clamp right	2
3	29119	Carriage-bolt M10	6
4	29274	Nut M10	6
5	29085	Screw M10 x 25 mm_V2A	2
6	29275	Nut with flange M10_V2A	2

## Mounting set for installation rack for sheet fold roofs

1. Determine the position of the collectors on the roof. Mark the lower row of the sheet fold clamps (1 + 2) using a chalk line and a water-level.
2. Fix the clamp at the fold of the roof by fixing the left (1) and the right (2) part of the clamp with the 3 screws M10 (3) and the corresponding nuts M10 (4) (Fig. 3).
3. The distance (L) between the upper and the lower sheet fold clamp is for type VERTICAL 1900 mm and for type HORIZONTAL 870 mm (Fig.4).
4. The supporting frames of the installation racks (accessories, order separately) are fixed at the sheet fold clamps with screws M10 (5) and Nuts (6) (see also Fig. 2).

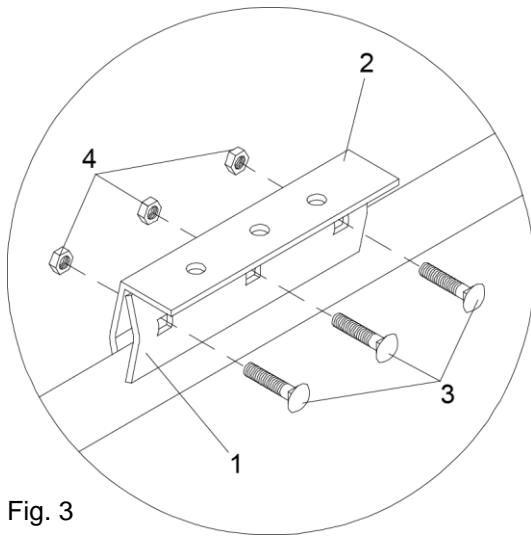


Fig. 3

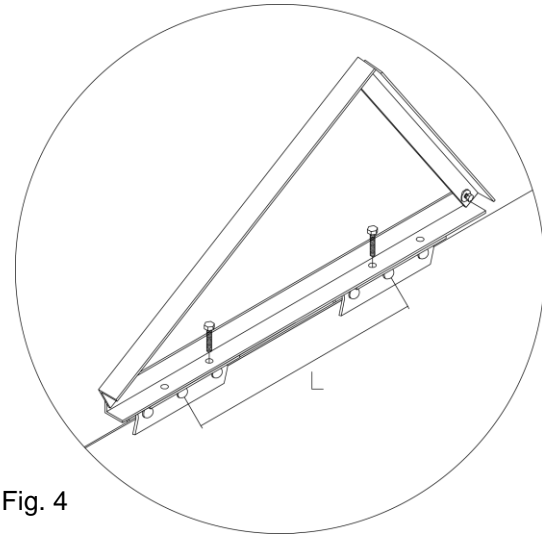


Fig. 4

### ATTENTION!

Before starting the installation of the sheet fold clamps the construction of the sheet fold of the roof has to be proofed by a local structural engineer or the constructor of the roof. The acceptance of the maximal tractive and compressive force has to be given.

### ATTENTION!

All bolts and nuts for weight-bearing connections have to be tightened with a calibrated torque handle. The torque table can be found in the „Safety and installation manual for flat plate collectors“.