



***Installation manual for flashing – arrangement above each other
for topSol 22 / topSol 22M***

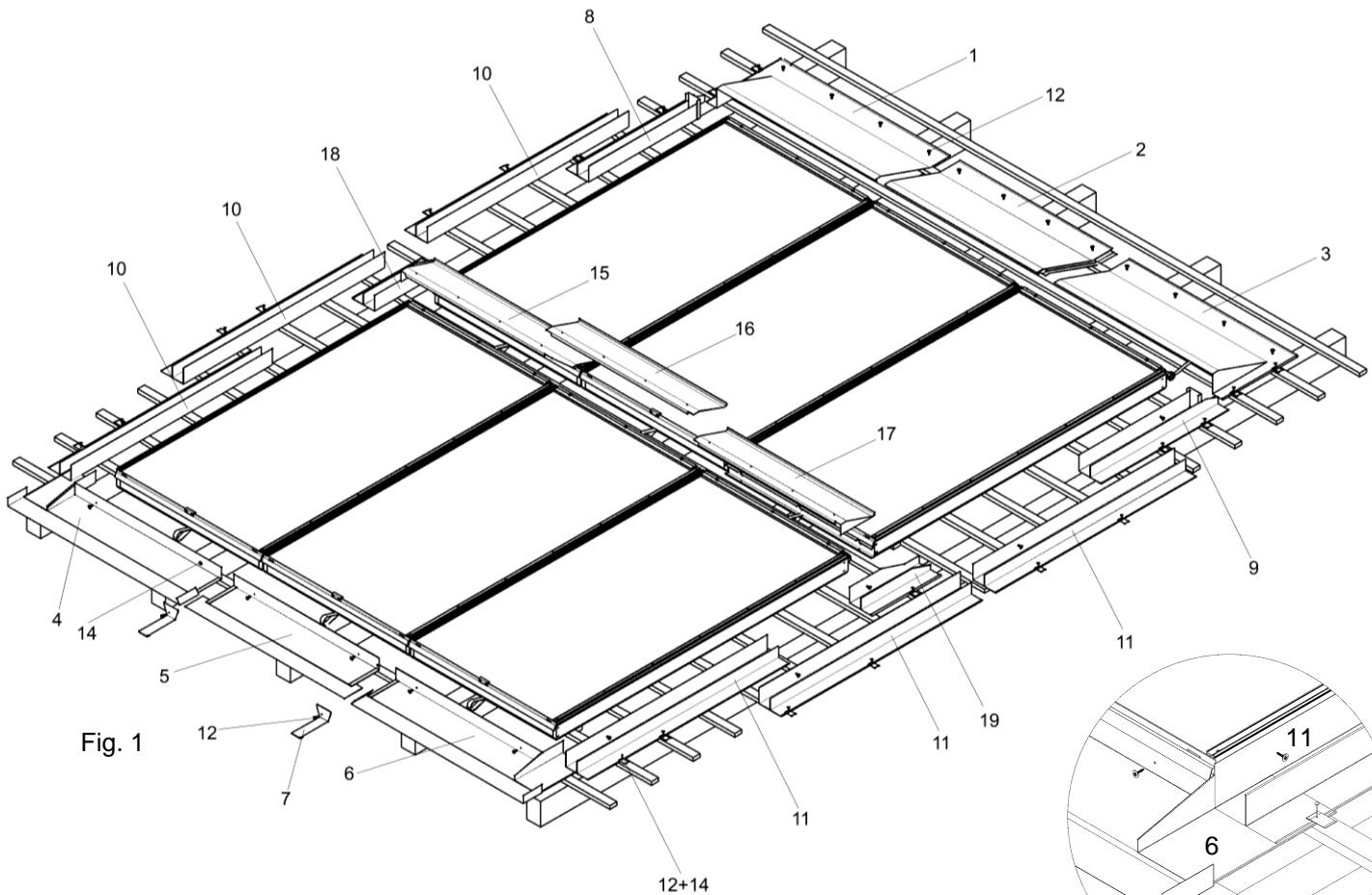


Fig. 1

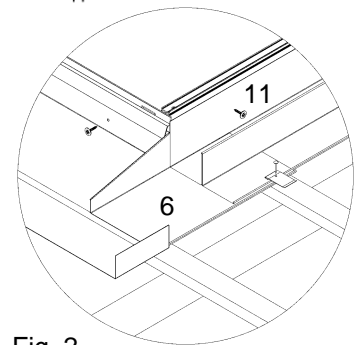


Fig. 2

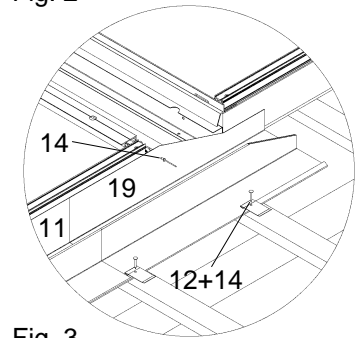


Fig. 3

1. Install the lower sheets and the connection sleeve according to the installation manual for the standard flashing until the point 5.
2. The left and right hand gutters upper section (pos. 10 and 11) are inserted into the corresponding lower left sheet (pos. 4 and 6). If necessary the water fold of the lower sheet can be bended slightly before (fig. 1 and fig. 2).
3. Then the two further gutters (pos. 10 and 11) and the short gutters (pos. 18 and 19) are installed (fig. 1 and fig. 3). These gutters have markings indicating the upper side of the collector above and the lower side of the collector below (fig. 3 and fig. 4).

Pos	Code	Designation	Pos	Code	Designation
1	04940	Top left sheet	11	04953	Right hand gutter
2	04941	Top middle sheet	12	29543	Screw with washer 4,5 x 25 mm
3	04942	Top right sheet	13	08924	Wedge shaped foam
4	04945	Lower left sheet	14	40032	Bracket
5	04946	Lower middle sheet	15	-	Left connecting piece
6	04947	Lower right sheet	16	-	Middle connecting piece
7	04948	Connection sleeve	17	-	Right connecting piece
8	04943	Left hand gutter upper section	18	-	Short left hand gutter
9	04944	Right hand gutter upper section	19	-	Short right hand gutter
10	04952	Left hand gutter	20	-	Sealing blank

- Afterwards the side gutters (pos. 10 and 11) and the upper side gutters (pos. 8 and 9) are installed (fig. 1, fig. 4 and fig. 5). The upper parts always have to overlap the lower parts.

ATTENTION! The upper edge of the side gutters (pos. 8 and 9) have to be flush with the upper edge of the collector (fig. 5)!

NOTE! The side gutters are fixed at the roof battens using 2 brackets and screws on every side (pos. 12 and 14). At the collector it is fixed using one screw with washer (pos. 12) for every side gutter (fig. 1, fig. 3, fig. 4 and fig. 5).

- The left connecting piece is hooked upwards in vertical position between the end profile and the distance rail of the upper collector and by folding downwards - fixed with the sheet folding (fig. 1 and fig. 6).
- If there are installed more than two collectors the extension connection pieces are installed in the same way. The extensions don't have a pre-given sheet nut, but they are overlapping for about 15 cm (fig. 1 and fig. 6).
- The right connection piece is installed in the same way (fig. 1 and fig. 6).

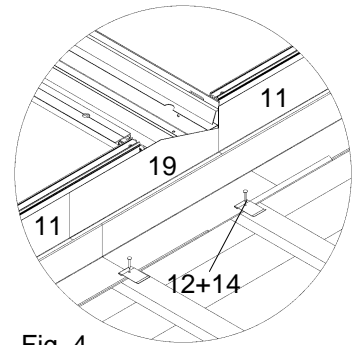


Fig. 4

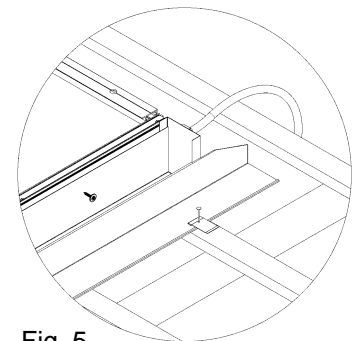


Fig. 5

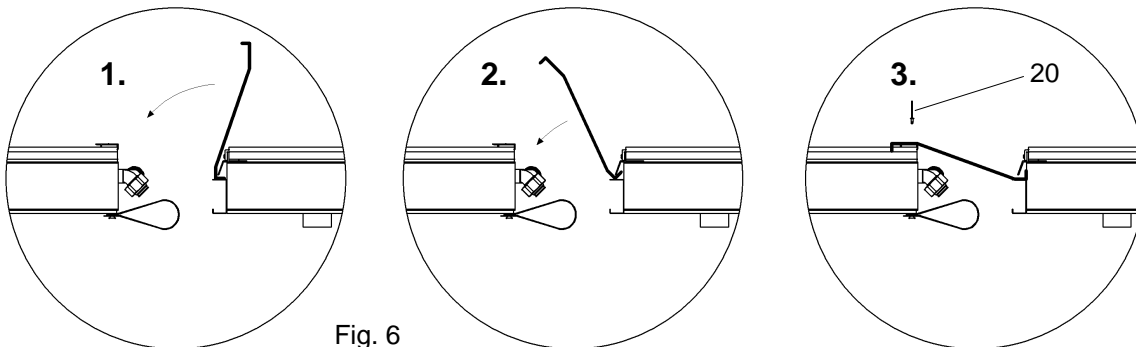


Fig. 6

- The connection pieces are fixed at the glass supporting profile of the lower collector using sealing blanks (pos. 20) – see fig. 6.

ATTENTION! For making the required drillings it is necessary using the attached drill bit with depth stop! This drill bit has a mechanical stop of 8 mm for preventing damaging the glass below.

- Clench every connection piece four times at the glass supporting profile. Additionally the left and right hand connection pieces have to be clenched laterally with the cover profile (fig. 7).
- Continue the installation of the top sheets according to point 7 of the "Installation manual for the standard flashing".

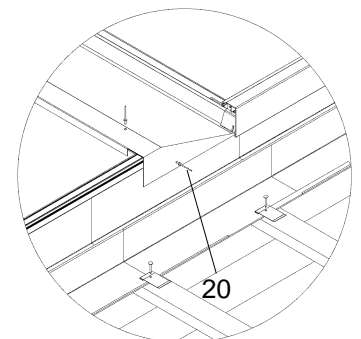


Fig. 7

ATTENTION!

Take adequate measures for preventing accidents for activities made on the roof! Consider the valid accident prevention regulations!