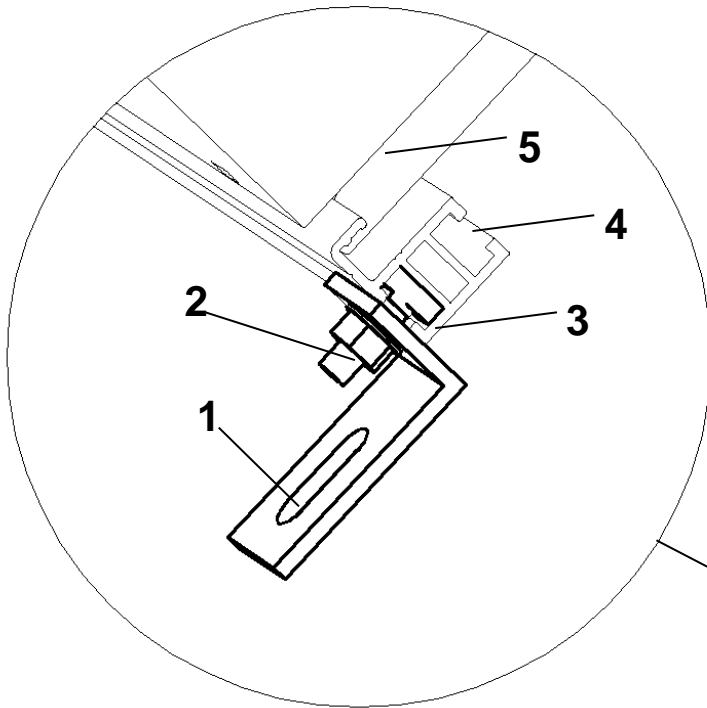
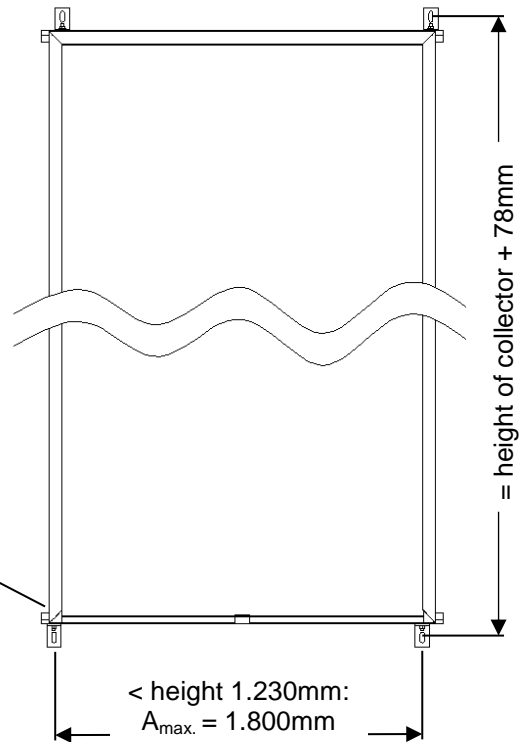
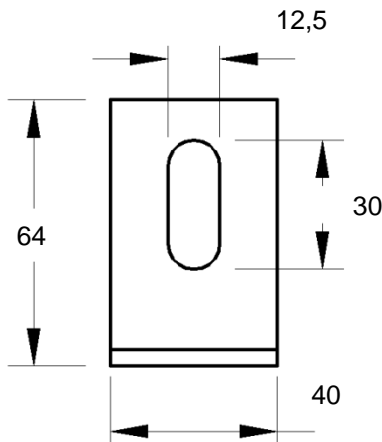




Mounting bracket for profile for collectors gevoSol / sunnySol



Detail mounting bracket (mm):



< height 1.230mm:
A_{max.} = 1.800mm
> height 1.230mm:
A_{max.} = 1.000mm

A_{max.} = max. distance between 2 fixing points

Pos.	Designation	Fixing rows	
		2	3
1	Mounting bracket for profile <i>Standard</i>	4	6
2	Nut with flange M8_V2A	4	6
3	Hammer-head bolt M8 x 25 mm_V2A	4	6
Required accessories:			
4	Mounting-profile	depending on collector / installation type	
5	collector		

ATTENTION!

All bolts and nuts for weight-bearing connections have to be tightened with a calibrated torque handle. The torque table can be found in the „Safety and installation manual for flat plate collectors“.

The actual required item number of mounting brackets and fixing points depends on the structural requirements on site, as well as depending on the application with the applicable standards and regulatory documents. In particular the standards EN1991-1 and DIN1055, respectively the standard ÖNORM M7778.