

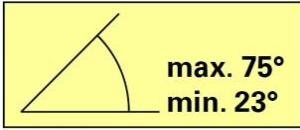


***Details for flashing  
for crane module gevoSol and gigaSol***

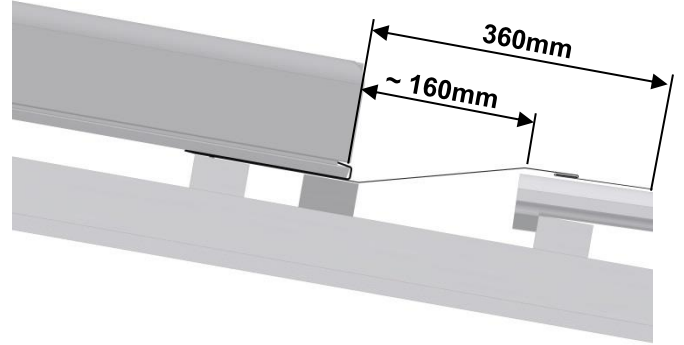


# Details for flashing for crane module gevoSol and gigaSol

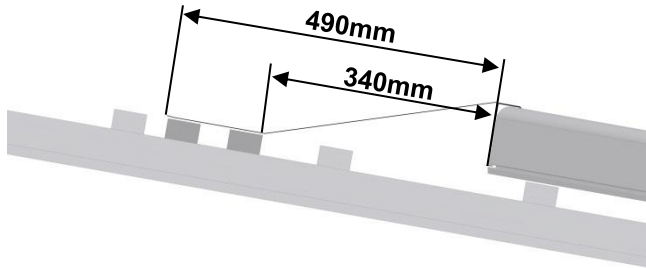
Range of application of the flashing:



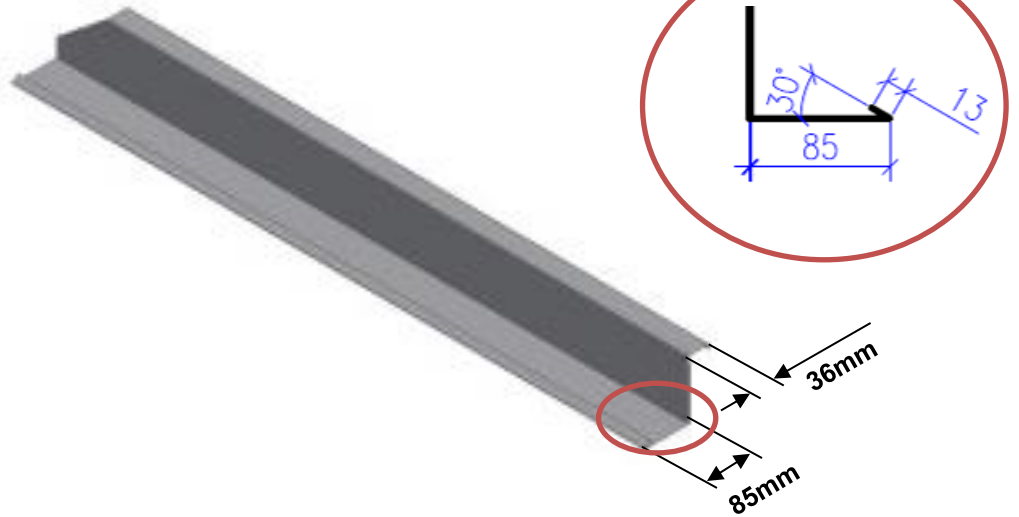
detail:  
Front part (gutter)



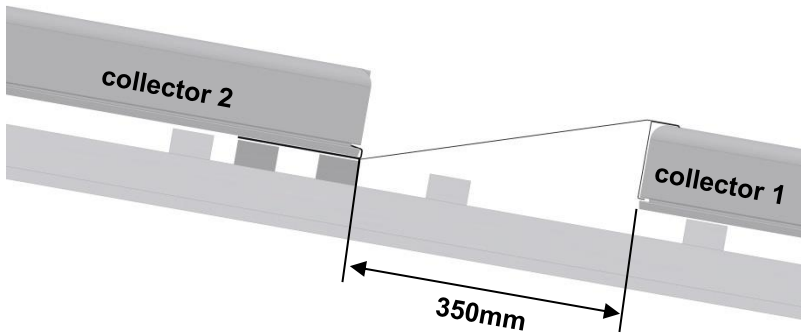
detail:  
Back part (ridge)



detail: Side part



detail:  
collectors above each other



detail:  
collectors side by side

